

Grinding & Machining for cylinder covers

Working Rig

CHRIS-MARINE®

WR 20 & 40

Working Rigs for safe maintenance of 2-stroke engine parts. Suitable onboard and in workshops. Easy to adapt for mounting of exhaust valve, fuel pump and injector valve.



Product features

- Available in 2 different configurations
- Handling capacity: from 2000 kg to 4000 kg
- Turning capacity: 0-360° (depending on engine parts)
- Adjustable length and height
- Self-locking turning gear
- Replaceable brackets
- All-round accessibility
- Safe and efficient
- For easy handling and overhaul of:
 - Cylinder covers
 - Exhaust valve
 - Fuel pumps

CHRIS-MARINE®
WR 20 & 40

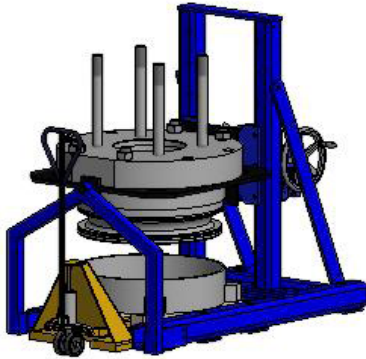
Safer maintenance work

WR 20 & WR 40 reduce usage of overhead crane, slings and chain blocks to ensure safer handling.

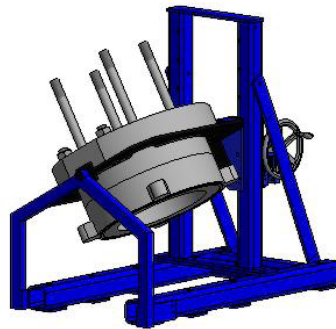
Improved accessibility

WR 20 & WR 40 improve accessibility for dismantling, assembling, inspections and maintenance.

WR 20

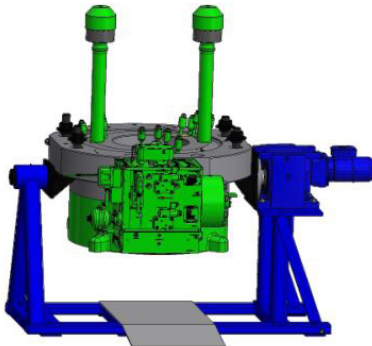


WR 20 facilitates easy and safe removal & refitting of cooling water jacket.

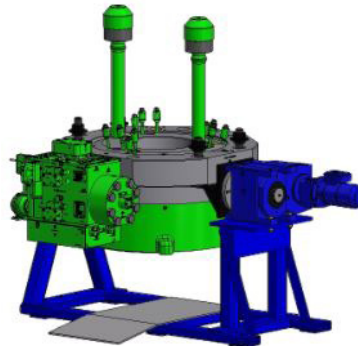


WR 20 has a manual self-locking turning handle.

WR 40



WR 40 has electrically driven turning gear which makes it easy to handle.



The controlled turning enabled by WR40 protects essential parts such as the fuel control block.

Technical specifications

	WR 20	WR 40
• Engine type	2-stroke	2-stroke
• Handling capacity (kg)	2000	4000
• Size H (mm)	985	1130
• Size L (mm)	1650	2380
• Size W (mm)	940	852
• Weight (kg) basic stand	400	500
• Turning capacity	90°	90°
• Turning gear	manual	electric

**Chris-Marine
 Headquarters
 and Subsidiaries**

**CHRIS-MARINE SWEDEN
 HEADQUARTERS**
 Tel: +46 - 40 671 2600
 info@chris-marine.com

CHRIS-MARINE DENMARK
 Tel: +45 - 4498 3833
 iop@chris-marine.com

CHRIS-MARINE GERMANY
 Tel: +49 4101 5880 0
 lemagg@chris-marine.com

CHRIS-MARINE SINGAPORE
 Tel: +65 - 6268 8611
 chris-sm@chris-marine.com.sg

CHRIS-MARINE CHINA
 Tel: +86 - 21 6575 9331
 info.cn@chris-marine.com

CHRIS-MARINE JAPAN
 Tel: +81 - 78 570 5642
 info.jp@chris-marine.com

CHRIS-MARINE INDIA
 Tel: +91 - 712 224 2719
 info.in@chris-marine.com

CHRIS-MARINE ECUADOR
 Tel: +593 979 000 379
 info.ec@chris-marine.com

CHRIS-MARINE BRAZIL
 Tel: +55 21 3349-4349
 info.br@chris-marine.com

Contact one of our offices to get in touch with your local agent.